



248, Hwakong St., Padeh City,
Taoyuan Hsien, Taiwan
http : //taiwandiamond.com
E-mail : sales@taiwandiamond.com.tw
Tel : 886-3-3636971
Fax : 886-3-3620709

Tip Saw Grinding Wheels

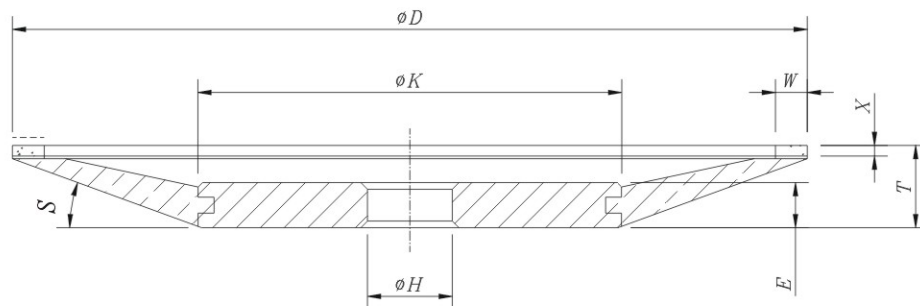


FEATURES:

- High processing efficiency and free cutting.
- Good surface finish and minimal chipping.

APPLICATION:

- For grinding the carbide tip of circular saw for wood-working industry.



Unit:mm

| D | W | X | T | E | K | S | H |
|-----|----------|-----------|-------------------|-----|----|-----|---|
| 125 | 5,6 | 1.5,2,3,4 | 13,13.5,14.5,15.5 | 8.5 | 60 | 18° | |
| 150 | 5,6,8,10 | 1.5,2,3,4 | 15,15.5,16.5,17.5 | 8.5 | 80 | 20° | |

- W, X, H, must be specified on the order.



TAIWAN DIAMOND INDUSTRIAL CO., LTD.

